



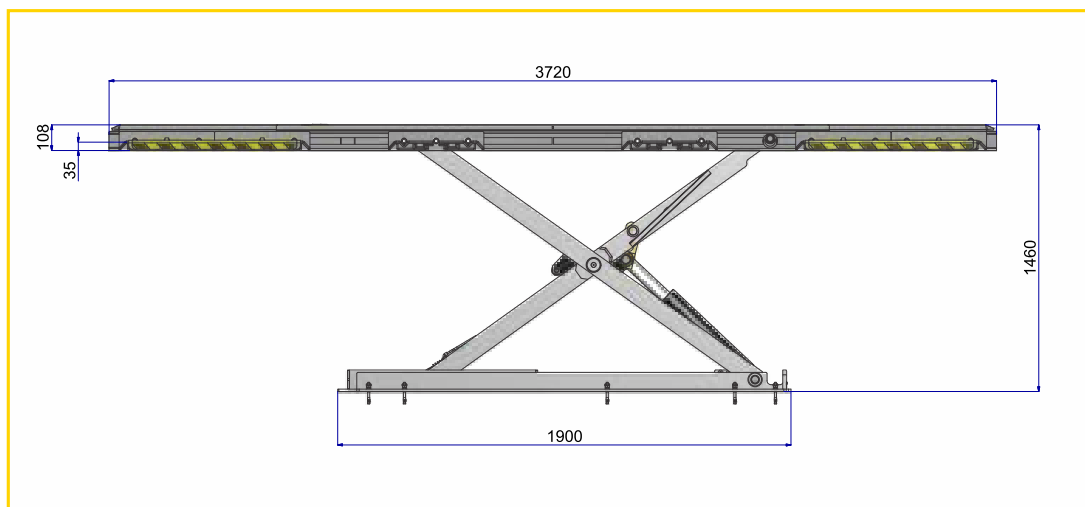
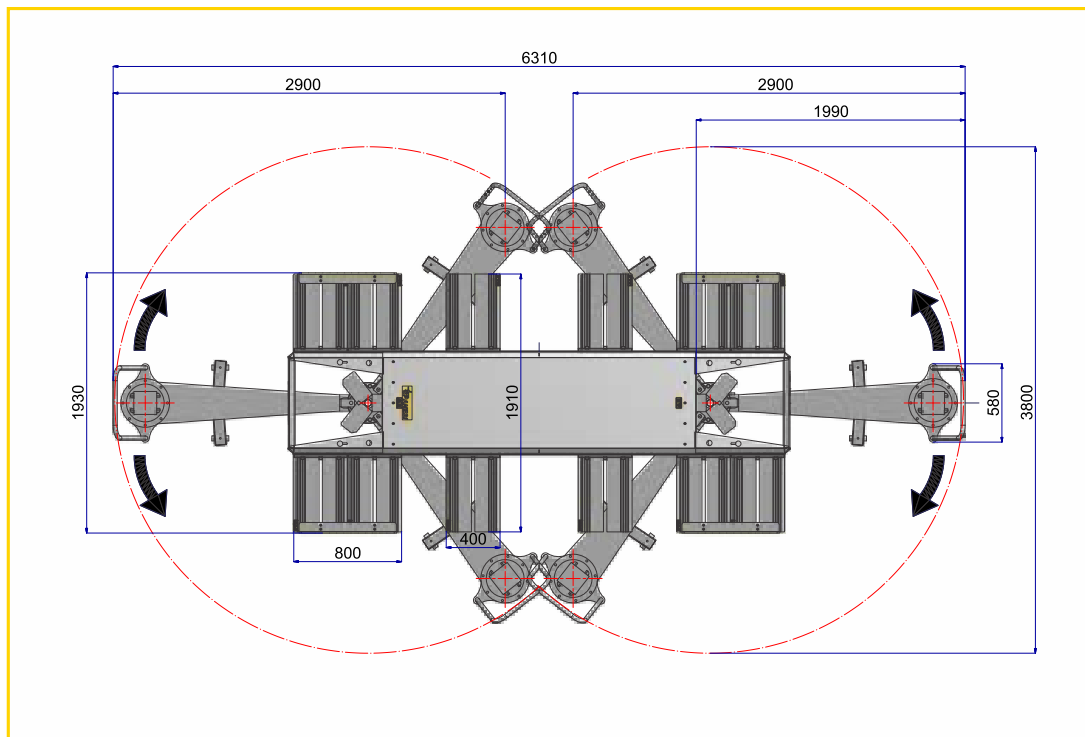
MULTIBENCH

- Electro hydraulic scissors lift height 1600mm capacity 3000 Kg
- 400V 50Hz 3ph * control box
- No. 8 low long platform



(*) A richiesta voltaggio speciale / On request special voltage

Composition



Max load	3000 Kg
Bench weight	955 Kg
Column weight	172 Kg
Control box weight	50 Kg
Lift time	62 sec.
Descent time	81 sec.
Voltage frequency	400 V - 50/60 Hz (*)
Pulling column capacity	10 t

(*) On request special voltage

OPTIONAL



9000210B18

No. 1 kit of 4 three wheels tripod-trolleys without blocking tampons to floor for Multibench, height 1250mm and max capacity 3000 kg (allow to remove wheels)



9000210B14

No. 1 kit of 4 four wheels trolleys with blocking tampons to floor for Multibench, height 1017mm max capacity 3000 kg (allow to remove wheels)



90KVASS020

No. 2 tops for supporting surfaces



90MINKIT31

Bmw clamps kit for sedan and 4WD